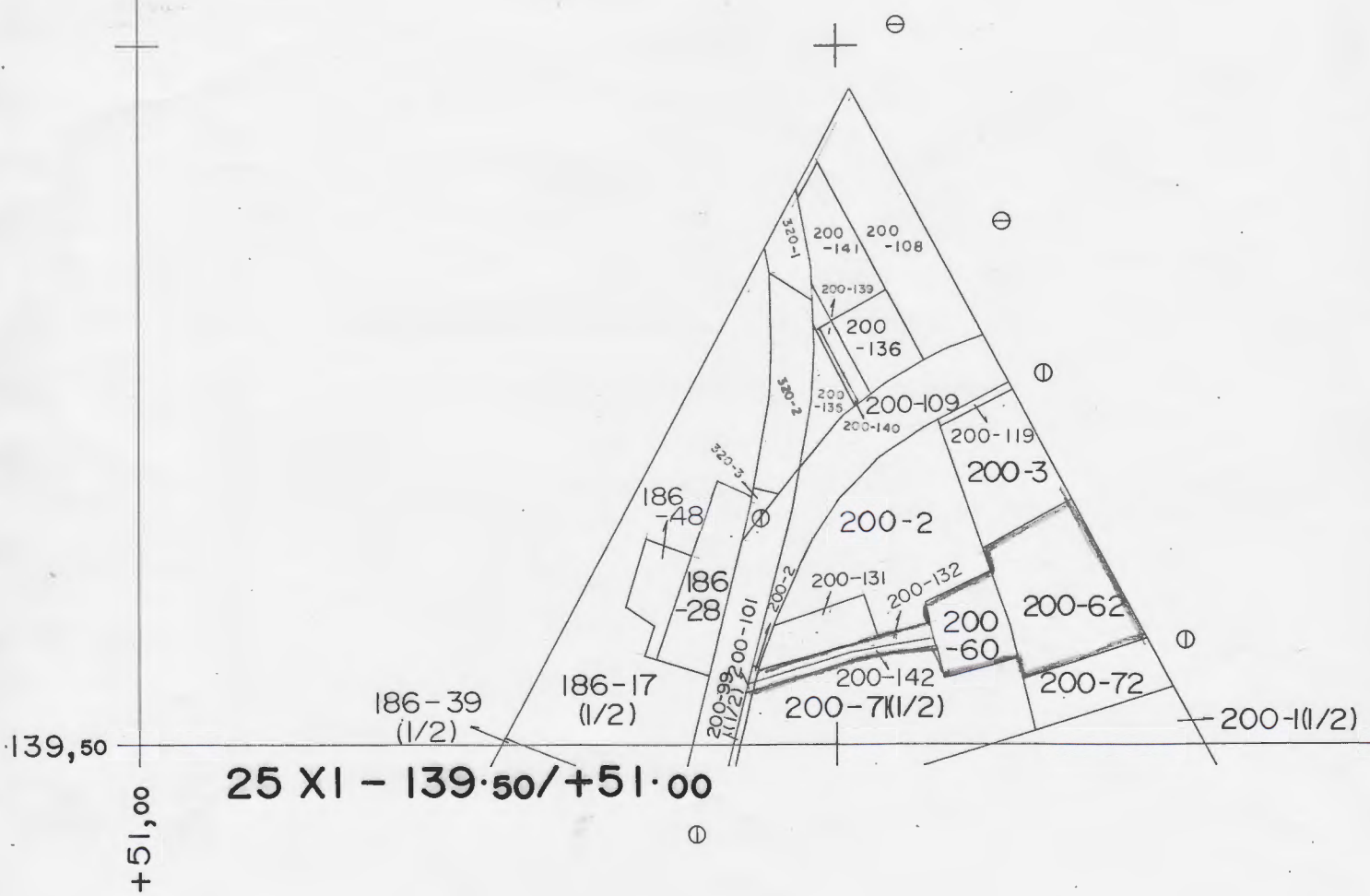


昭和五十年年度調査



25 XI - 139.50/+51.00

139,50

+51,00

186-39  
(1/2)

186-17  
(1/2)

186-748

186-28

101-00  
(2/1)

200-99  
(1/2)

200-7(1/2)

200-60

200-72

200-1(1/2)

200-1

200-141

200-108

200-139

200-136

200-135

200-109

200-140

200-119

200-3

200-2

200-131

200-132

200-62

+ ⊙

⊙

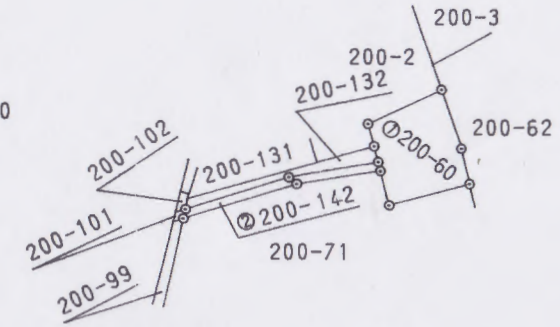
⊙

51434.650
50489.304

	X-X	Y(X-X)	辺長
4.254	-18.695	-953225.408530	7.720
0.295	-12.620	-643497.522900	5.366
0.714	-8.175	-416857.261950	3.078
0.404	-14.369	-732709.853076	11.723
0.263	-4.180	-213160.199340	27.709
0.023	18.859	962224.331757	12.001
0.223	31.050	1584146.874150	20.552
0.383	8.130	414730.673790	26.623
倍面積	1651.633901		
面積	825.8169505		
地積	825.81 m <sup>2</sup>		

	X-X	Y(X-X)	辺長
0.304	-13.879	-706833.931216	3.176
0.614	8.470	431356.890580	39.025
0.884	15.929	811819.637236	27.863
0.404	7.359	375253.101036	3.078
0.714	-2.050	-104533.013700	29.850
0.294	-15.829	-806682.151726	35.658
倍面積	380.532210		
面積	190.266105		
地積	190.26 m <sup>2</sup>		

合計面積 1016.083055



S = 1 : 5 0 0

